

WARING COMMERCIAL

3/4 Qt. Capacity Chopper/Grinders

WCG75

WCG75CC

Chef's Catalog

WCG75PH

Pizza Hut

Unit Information
3.5 Amps – 60 Hz
3/4 Quart Work Bowl
Induction Motor

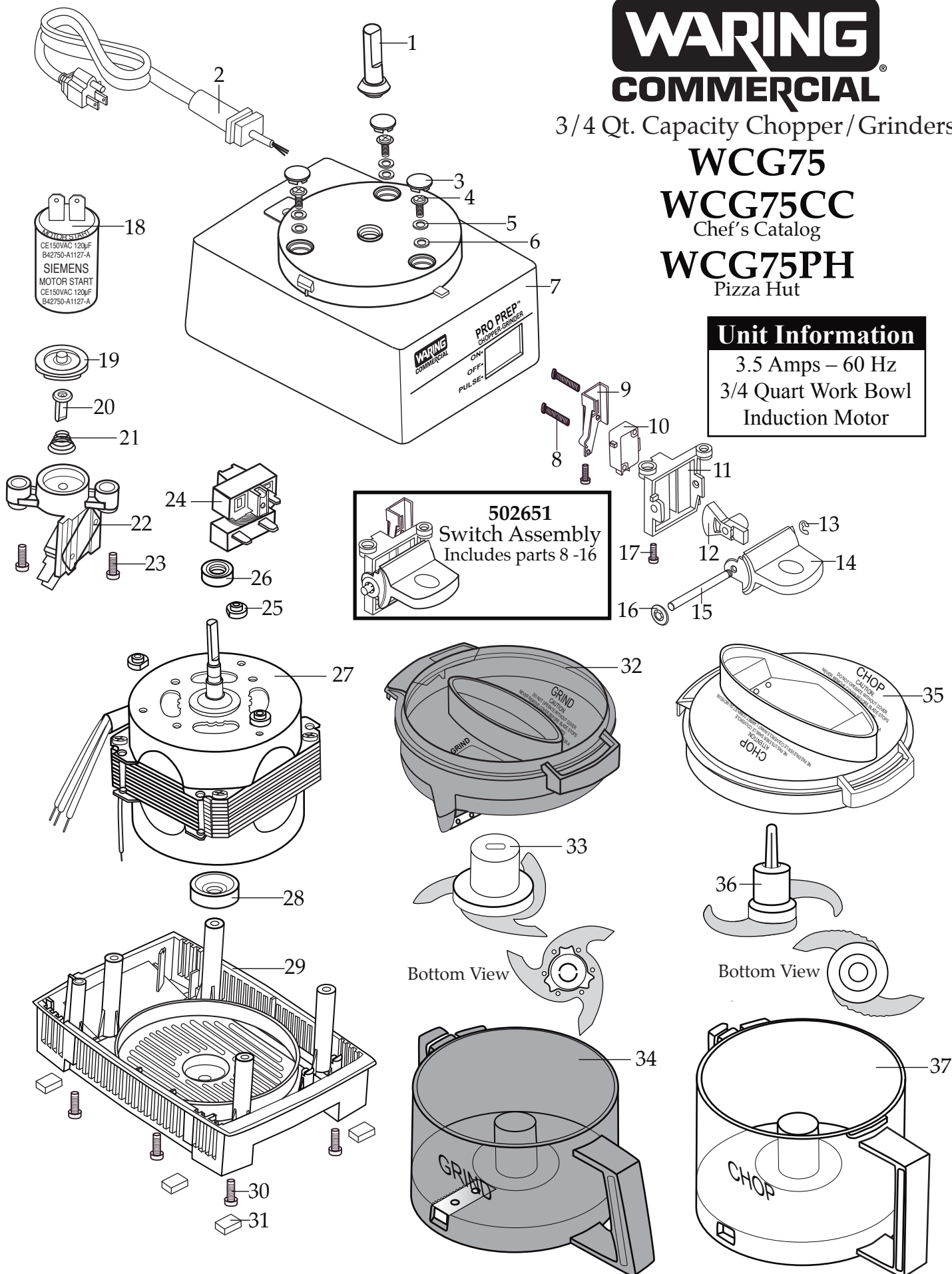


Illustration #	Part #	Description
1	024344	Motor Shaft Sheath
2	502551	Cord Assembly
3	024345	Motor Screw Cover (3 required)
4	024346	Motor Screw (3 required)
5	024347	Motor Washer (3 required)
6	024348	Motor Fiber Washer (3 required)
7	024349	Housing
8	024350	Screw (2 required)
9	024351	Switch Bracket
10	024352	Main Switch
11	024353	Switch Plate
12	024354	Switch Actuator
13	024355	E-Ring
14	024356	Switch Button
15	024357	Switch Shaft
16	024358	Push Nut Washer
17	024359	Screw (2 required)
18	024701	Capacitor
19	024702	Button Pad
20	024703	Actuating Lever
21	024704	Spring
22	502650	Micro Switch Assembly
23	024705	Screw (2 required)
24	024706	Relay
25	024360	Motor Screw Plug (3 required)
26	024361	Oil Seal
27	024362	Motor
28	024363	Lower Motor Pad
29	024364	Base Cover
30	024365	Screw (4 required)
31	024366	Rubber Foot (4 required)

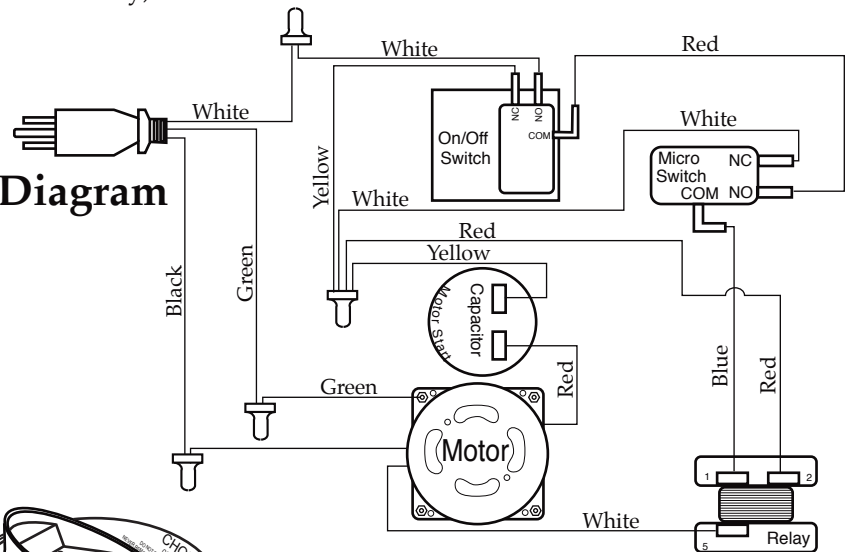
Illustration #	Part #	Description
32	502552	Grinding Lid Assembly
33	503500	Grinding Blade Assembly
34	502554	Grinding Bowl Assembly
35	502555	Chopping Lid Assembly
36	503499	Chopping Blade Assembly
37	502557	Chopping Bowl Assembly

Items Not Shown

502649 - Lead Assembly (2-white, 2-red, 2 yellow)

024700 - Blue Lead (goes from micro switch to relay)

Wiring Diagram



Parts No Longer Used

